

SPECIFICATION

Product Name: Dual Beam NDIR CO₂ Sensor Module

Item No.: CM1107NA

Version: V0.1

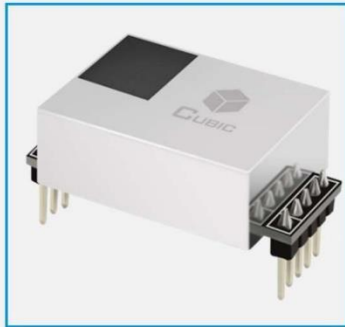
Date: October 30, 2023

Revision

No.	Version	Content	Date
1	V0.1	Preliminary version	2023.10.30

Dual Beam NDIR CO₂ Sensor Module

CM1107NA



Applications

- HVAC industry
- IAQ monitor
- Air purifier
- Automotive
- IoT devices
- Intelligent agriculture
- Cold-chain

Description

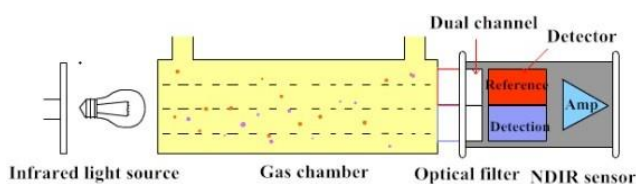
CM1107NA is a dual beam (single light source, dual channel) NDIR CO₂ sensor, based on non-dispersive infrared (NDIR) technology, which can detect CO₂ concentration of indoor air. With higher accuracy, superior long term stability, it is widely used for ventilation system, air purifier, air conditioner, intelligent agriculture, storage and cold-chain, etc.

Features

- NDIR technology with independent intellectual property
- Dual beam detection for superior stability and better accuracy
- High accuracy, long term stability, long life (>10years)
- Temperature calibration within whole measurement range
- Signal output PWM/UART/I²C
- Small size and compact structure, easy to install

Working Principle

The main components of an NDIR CO₂ sensor are an infrared source, a sampling chamber, two filters and two detectors. The infrared light is directed by the infrared source passing through the gas chamber towards the detector.



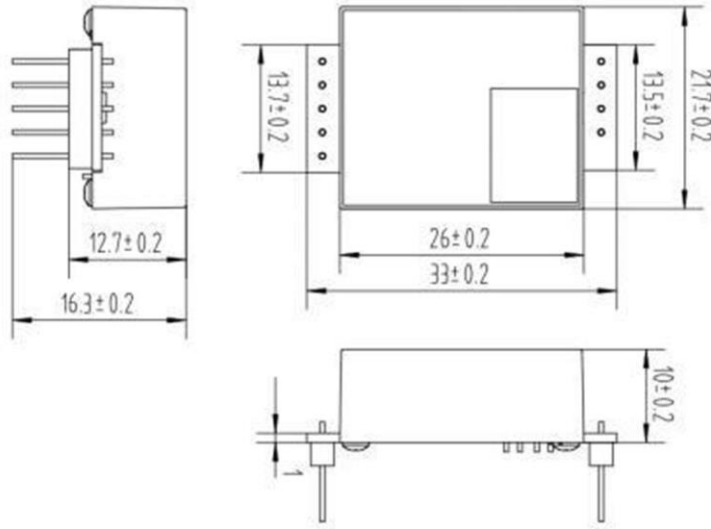
CO₂ molecules inside the gas chamber will only absorb a specific wavelength of the light. The filter allows only the specific wavelength corresponded to pass through it. One detector measures the intensity of infrared light that is related to the intensity of CO₂ and can be described through the Lambert-Beer's Law. The other detector is as for reference. The change in sensor signal reflects the change in gas concentration.

Specifications

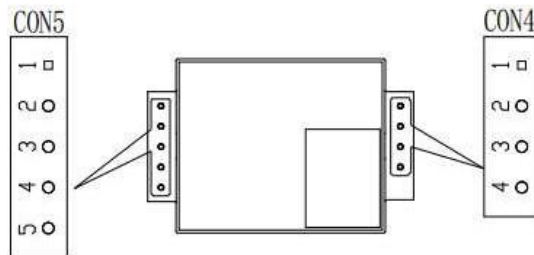
Dual Beam NDIR CO ₂ Sensor Specification	
Target gas	Carbon Dioxide (CO ₂)
Operating principle	Non-dispersive infrared (NDIR)
Measurement range	0-5000ppm
Working temperature	-10°C ~ 50°C
Working humidity	0-95%RH (non-condensing)
Storage temperature	-30°C ~ 70°C
Storage humidity	0-95%RH (non-condensing)
Accuracy	± 75ppm @ 400~2500ppm, normal temperature and air pressure
Sampling frequency	1s
Time to first reading	≤30s
Power supply	DC 4.5V~5.5V
Working current	<50mA @1s
Dimensions	W33 * H21.7 * D12.7mm (without pin)
Weight	6.3g
Signal output	UART_TTL (high level 3.3V / compatible with 5V) PWM I ² C
PWM output	Output high level minimum duration: 2ms (0ppm)
	Output high level maximum duration: 1002ms (5000ppm)
Alarm output	Reserved
Life span	≥10 years

Dimensions and Connector

1. Dimensions (Unit mm, tolerance ± 0.2 mm)



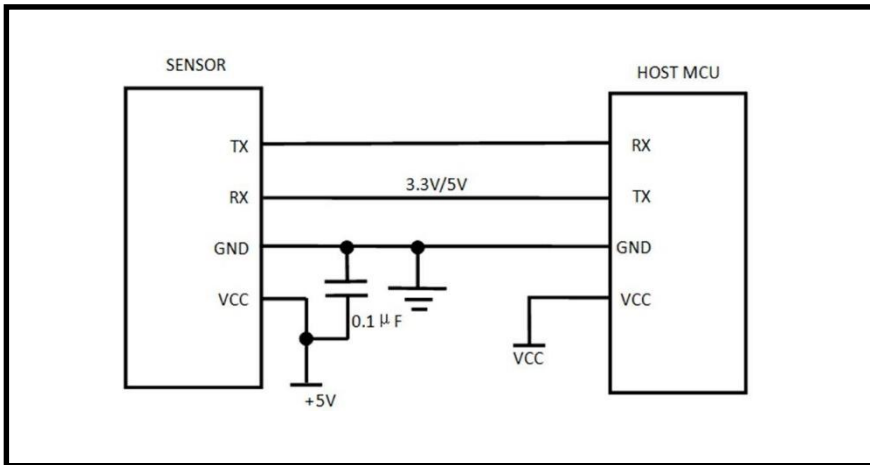
2. I/O Connector Pinout



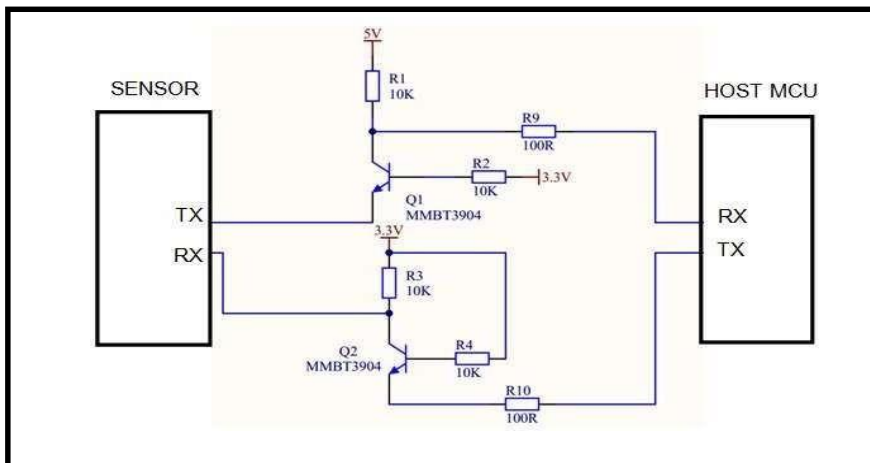
CON5			CON4		
Pin	Name	Description	Pin	Name	Description
1	+3.3V	Power supply output (+3.3V/100mA)	1	+5V	Power supply input voltage,
2	RX/SDA	UART-RX (Receiving)/I ² C data, compatible with 3.3V and 5V communication	2	GND	Power supply input (GND)
3	TX/SCL	UART-TX (Sending)/I ² C clock, 3.3V communication	3	A	Alarming
4	R/T	UART/ I ² C Switch (Output mode exchange TTL level @3.3V High level or floating is UART communication mode, low level is I ² C communication mode)	4	PWM	PWM output
5	CA	Manual calibration			

Typical Application Circuit

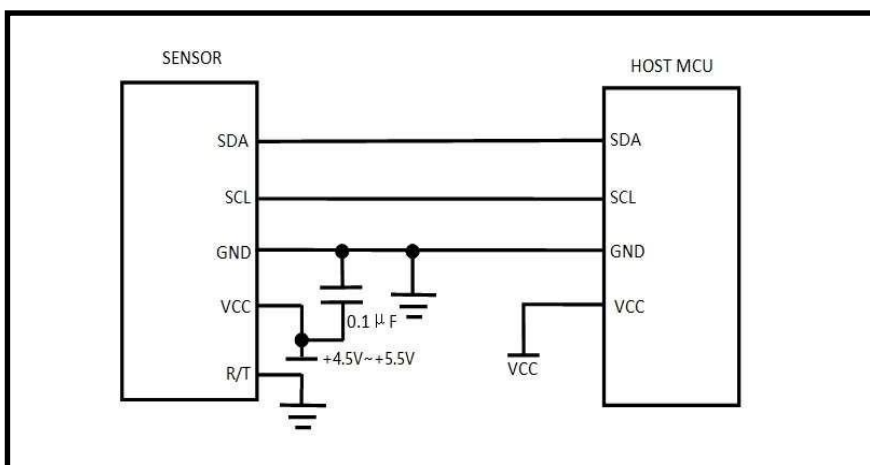
Case 1: Application scene: UART_TTL serial port output



3.3V- 5V conversion circuit (reference circuit)



Case 2: I2C output



Description of Calibration

1. Auto calibration (Closed by default, if open please refer to the protocol)

Rough installing and influence of transportation might result in reducing of sensor measuring accuracy and baseline drift, sensor will correct the drift by the built-in self-correcting logic. Powering on the sensor for 7 days continuously, it will record the lowest CO₂ concentration measurement value during the 7 days, which will be regarded as baseline (400ppm) when sensor implements auto calibration after the 7 days working. In order to ensure correct auto calibration, please make sure working environment of the sensor can reach to outdoor fresh air level (400ppm) during the 7 days auto baseline correction cycle.

Note: For more detailed information on sensor auto-calibration, please contact Cubic

2. Manual calibration:

Rough installing and influence of transportation might result in a reducing of sensor reading accuracy and baseline drift. If need to recover accuracy quickly after installing, users can do manual calibration. Please place the sensor in an environment where outdoor atmospheric CO₂ levels can reach 400 ppm and ensure the CO₂ concentration in this environment is stable before calibration. The CA pin of sensor should be well connected at least 2 seconds when doing the manual calibration. Sensor will activate the calibration program after 6 seconds. In addition, sensor also can do manual calibration by sending command, please refer to the communication protocol for more details.

PWM and Alarm Output

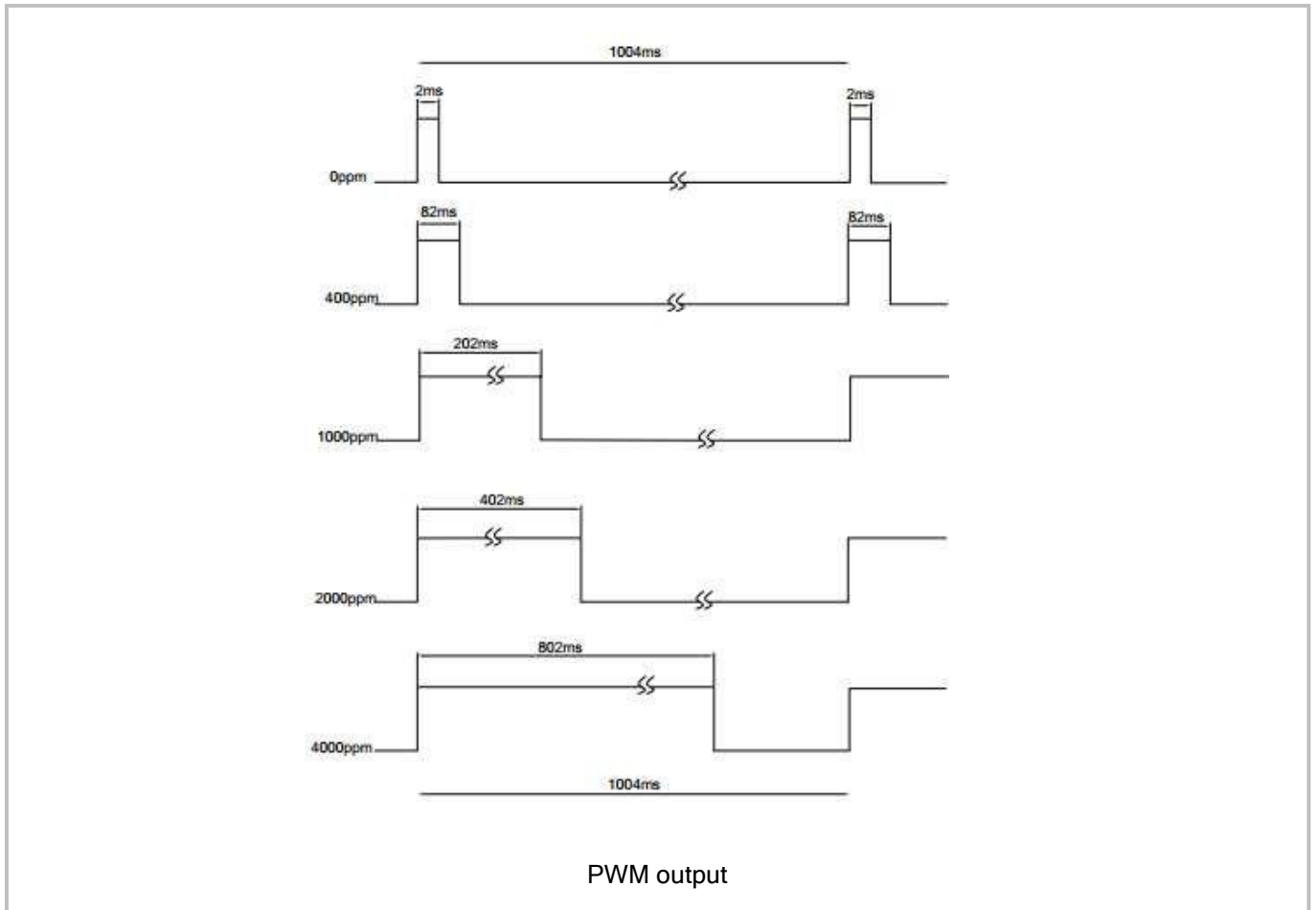
PWM output

Measurement range: 0-5000ppm

PWM cycle: 1004ms

Positive pulse width: $(PPM/5)+2ms$

PWM output schema:

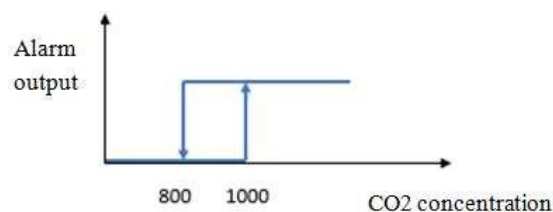


Note

Connect the pin of PWM to the oscilloscope. Add a pull-up resistor around 5K-10K between the pin of PWM and power supply.

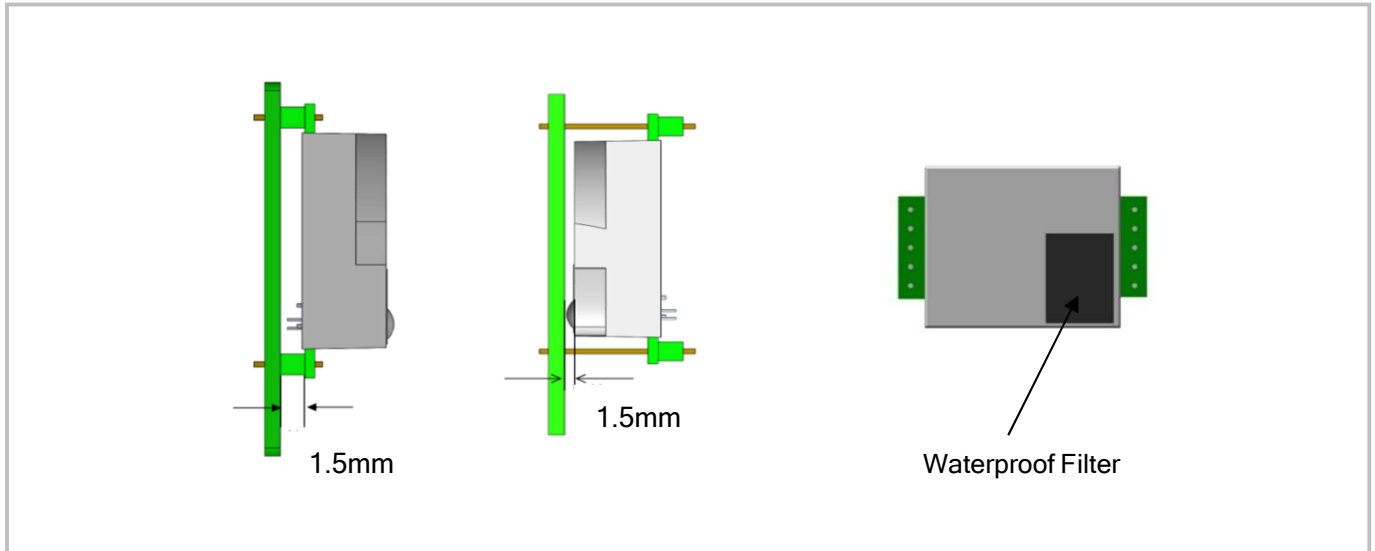
Alarm Output

If the CO₂ concentration rises up to more than 1000ppm, the alarming will be triggered and output high level. When the CO₂ concentration goes down to below 800ppm, the alarming will stop and output low level.

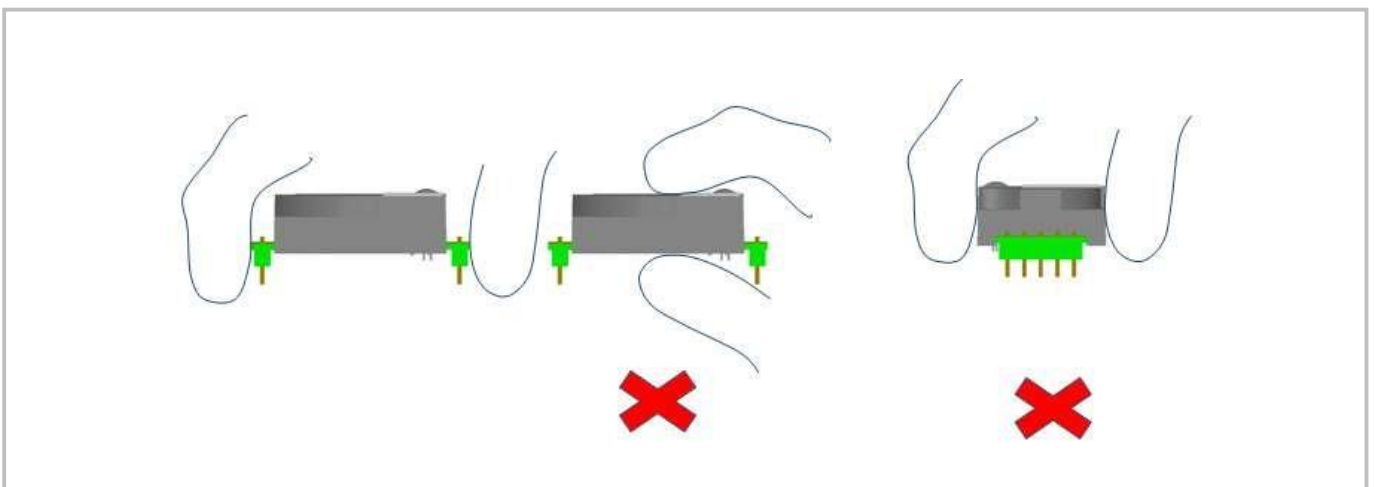


Product Installation

1. In order to ensure airflow diffusion into the sensor inner, make sure the minimum distance between the area of waterproof filter and the other components is 1.5 mm, otherwise, quick response time of the sensor will be affected. Reference as below:



2. To avoid the influence of stress on sensor, please soldering by hand as much as possible when mounting the sensor to the PCB. Reference as below:



UART Communication Protocol

1. General Statement

- 1). The data in this protocol is all hexadecimal data. For example, "46" for decimal [70].
- 2). Baud rate: 9600, Data Bits: 8, Stop Bits: 1, Parity: No, Flow control: No.
- 3). [xx] is for single-byte data (unsigned, 0-255); for double data, high byte is in front of low byte.

2. Format of Serial Communication Protocol

Sending format of upper computer:

Start Symbol	Length	Command	Data 1	...	Data n.	Check Sum
HEAD	LEN	CMD	DATA1	...	DATAn	CS
11H	XXH	XXH	XXH	...	XXH	XXH

Detail description on protocol format:

Protocol Format	Description
Start Symbol	Sending by upper computer is fixed as [11H], module respond is fixed as [16H]
Length	Length of frame bytes= data length +1 (including CMD+DATA)
Command	Command
Data	Data of writing or reading, length is not fixed
Check Sum	Cumulative sum of data = 256-(HEAD+LEN+CMD+DATA)%256

3. Command Table of Serial Protocol

Item No.	Function Name	Command
1	Read measured result of CO ₂	0x01
2	Open/ Close ABC and set ABC parameter	0x10
3	Calibrate concentration value of CO ₂	0x03
4	Read software version	0x1E
5	Read the serial number of the sensor	0x1F

4. Detail Description of Protocol

4.1 Read Measured Result of CO₂

Send: 11 01 01 ED

Response: 16 05 01 DF1- DF4 [CS]

Function: Read measured result of CO₂ (Unit: ppm)

Note:

CO₂ measured result = DF1*256+DF2;

DF3: status bit

Bit7	Bit6	Bit5	Bit4	Bit3	Bit2	Bit1	Bit0
Reserved	1: Drift 0: Normal	1: Light Aging 0: Normal	1: Non-calibrated 0: Calibrated	1: Less than Measurement Range 0: Normal	1: Over Measurement Range 0: Normal	1: Sensor Error 0: Operating normal	1: Preheating 0: Preheat complete

DF4 is reserved

Example:

Response: 16 05 01 02 58 00 00 8A

Explanation:

Hex is converted to decimal: 02 is 02; 58 is 88

CO₂ concentration=02*256+88 = 600ppm

4.2 Open/Close ABC and Set ABC Parameter

Send: 11 07 10 DF1 DF2 DF3 DF4 DF5 DF6 CS

Response: 16 01 10 D9

Explanation:

DF1: Reserved, default 100 (0x64)

DF2: Open/close auto calibration (0: open; 2: close, default close)

DF3: Calibration cycle (1-30 days optional, default is 7 days)

DF4: High base value (2 bytes)

DF5: Low base value (2 bytes)

DF6: Reserved, default is 100 (0x64)

Note:

The default value of DF4 and DF5 is 400, that is DF4: 01; DF5: 90

4.2.1 Open ABC and Set Calibration Cycle

When ABC function is closed and if want to re-open ABC function, then set the DF2=0.

Example: Send below command to open ABC function and set the calibration cycle

Send: 11 07 10 64 00 07 01 90 64 78

Response: 16 01 10 D9

4.2.2 Close ABC

The ABC function is default closed. If want to close the ABC function after open it, then set the DF2=2.

Send: 11 07 10 64 02 07 01 90 64 76

Response: 16 01 10 D9

4.2.3 Change the Calibration Cycle

If want to change the calibration cycle to 10 days, then set the DF3=0A.

Send: 11 07 10 64 00 0A 01 90 64 75

Response: 16 01 10 D9

4.2.4 Check ABC Status and ABC Cycle

To check the ABC status, then check the DF2, 0 means open; 2 means close

To check the ABC cycle, then check the DF3 (DF3 range can be 1-30 days, default is 7 days)

Send: 11 01 0F DF

Response: [ACK] 07 0F [DF1][DF2][DF3][DF4][DF5][DF6][CS]

4.3 Calibration of CO₂ Concentration

Send: 11 03 03 DF1 DF2 CS

Response: 16 01 03 E6

Function: Calibration of CO₂ concentration

Note:

1. Calibration target value = DF1*256+DF2 Unit: PPM, range (400-1500ppm)
2. Before calibration, please make sure CO₂ concentration in current ambient is calibration target value. Keeping this CO₂ concentration for two 2 minutes, then begin calibration.

Example:

When need to calibrate CO₂ concentration of the sensor to 600ppm, send command:

Send: 11 03 03 02 58 8F

Hex is converted to decimal: 02 is 02; 58 is 88

CO₂ concentration =02*256+88 = 600ppm

4.4 Read Software Version

Send: 11 01 1E D0

Response: 16 0C 1E DF1-DF11 CS

Function: Read software version

Note:DF1-DF10: stand for ASCII code of software version, DF11 is reserved.

Example:

When the sensor version is CM V0.0.20, respond data as follows:

Hexadecimal converted to ASCII code:

Note: when 20 converted to ASCII code, it equals to blank space.

16 0C 1E 43 4D 20 56 30 2E 30 2E 32 30



CM V0.0.20

4.5 Read the Serial Number of the Sensor

Send: 11 01 1F CF

Response: 16 0B 1F (SN1) (SN2) (SN3) (SN4) (SN5) [CS]

Function: Read the serial number of the sensor

Note: Read the serial number of the sensor. SNn: 0~9999, 5 integer form 20-digit number.

I²C Communication Protocol

1. Timing Diagram Introduction

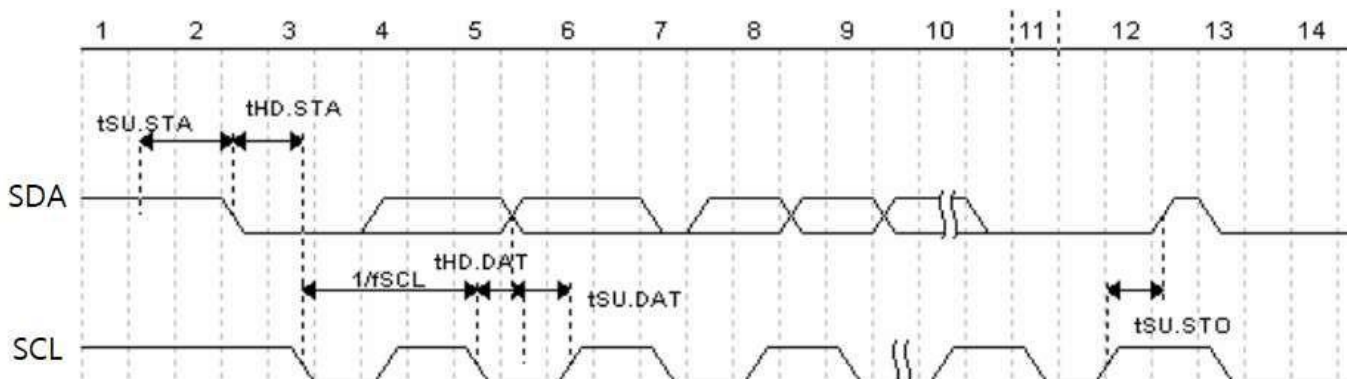
1.1 Common Description

- a. This protocol is based on standard I²C timing sequence, the clock frequency is 10kHz~400kHz.
- b. Use big-endian format, the most significant bit to be sent first.

1.2 I²C Sequence Diagram Introduction

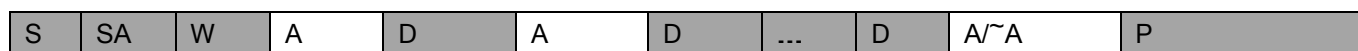
Item	Parameter			Unit
	Min	Type	Max	
fSCL (SCL clock frequency)	10		400	KHz
tHD.STA (hold time of the starting)		0.6		us
tSU.STA (setup time of the starting)		0.6		us
tHD.DAT (hold time of the data)		0		ns
tSU.DAT (setup time of the data)		250		ns
tSU.STO (setup time of the stop bit)		4		us

Note: SCL clock frequency is generated by the master device with the range 10kHz~400kHz.

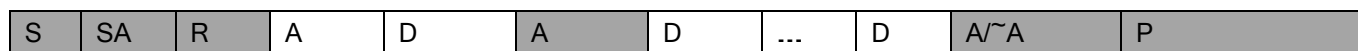


Picture 1: I²C clock introduction

1.3 Basic Data Transmission Formats



Picture 2: The general data format sends from the master device to the slave



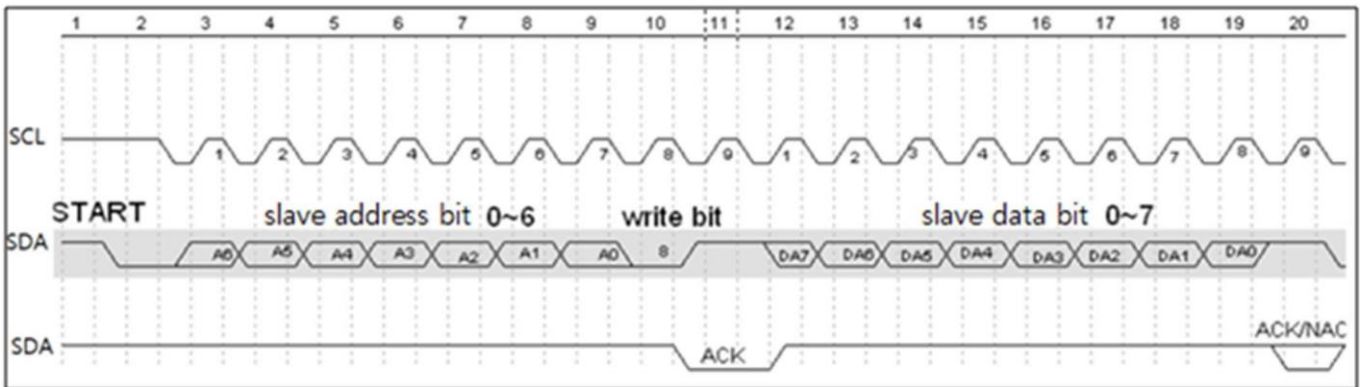
Picture 3: The general data format received from the slave device to the master device

The meaning of the symbol in picture 1.2 and picture 1.3:

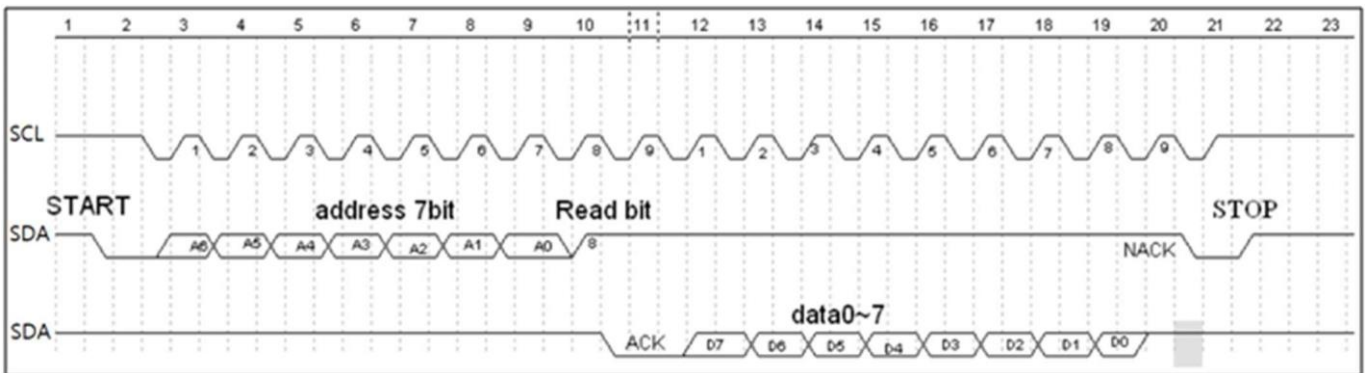
- S: start condition
- SA: slave address

- W: write bit
- R: read bit
- A: acknowledge bit
- ~A: not acknowledge bit
- D: data, each data is 8bit
- P: stop condition
- Shadow: The signal generated from the master device
- No Shadow: The signal generated from the slave device

1.4 Timing Diagram



Picture 4: The address byte send from the master device



Picture 5: The master device read a byte from the slave device

1.5 Notes

The performance of the MCU which is used in the sensor is not very high. If use I/O port to simulate IIC master device, it is suggested to reserve a period before and after ACK signal (such as 100 us), after sending every byte (8 bit) to leave enough time for the SCM to process the data. Within requirements of speed, it is recommended to lower the reading speed as much as possible.

2. Measuring Function

Format of Command

Format of Sending: [CMD][DF0].....[DFn]

[CMD] Command number, for distinguishing different command.

[DF0] ... [DFn] The command with parameter item and optional items

Format of Response: [CMD][DF0].....[DFn] [CS]

[CMD] Command number

[DF0]... [DFn] Effective data

[CS] Data check bit = -([CMD]+ [DF0]+.....[DFn]) Only use the lowest bit

2.1 Statement of Measuring Command

The slave address is 0x31, the data command of the slave device is as below:

Item No.	Function Name	Command
1	Read measured result of CO ₂	0x01
2	Open/ Close ABC and set ABC parameter	0x10
3	Calibrate concentration value of CO ₂	0x03
4	Read software version	0x1E
5	Read the serial number of the sensor	0x1F

2.2 Measuring Result

The master device should send command of measuring result.

Send: 0x01

Response: [0x01][DF0][DF 1] [DF2][CS]

Note:

1. Sensor starts measuring result status once receiving the command 0x01. After this, all the data which I²C read will be such status format data, until the sensor receives new command or re-powering on.
2. Data format, master device receives DF0 first, and then receives CS at last.

Remark	Status Bite	Decimal Effective Value Range	Relative Value
CO ₂ measuring result	[DF0] [DF1]	0 ~ 5,000 ppm	0 ~ 5,000 ppm

CO₂ measuring result: DF 0 *256+DF 1 , Fixed output is 550ppm during preheating period.

Status bit:

Bit7	Bit6	Bit5	Bit4	Bit3	Bit2	Bit1	Bit0
Reserved	1: Drift 0: Normal	1: Light Aging 0: Normal	1: Non-calibrated 0: Calibrated	1: Less than Measurement Range 0: Normal	1: Over Measurement Range 0: Normal	1: Sensor Error 0: Operating normal	1: Preheating 0: Preheat complete

Example:

The master device reads some data: Read 3 bit.

0x01 0x03 0x20 0x00 0xDC

CO₂ measuring result = (0x03 0x20)_{hexadecimal} = (800)_{decimal} = 800 ppm

Status bit: 0x00 means working normally

[CS]= -(0x01+0x03+0x20+0x00) Only keep the lowest bite.

2.3 Auto Zero Specification Setting

Send: 0x10 [DF0] [DF 1] [DF2] [DF3] [DF4] [DF5]

Response: [0x10] [DF0] [DF1] [DF2] [DF3] [DF4] [DF5] [CS]

Format description:

1. Sensor will be auto calibration specification setting status after receiving command 0x10. After this, all the data which I²C read are the data in this status format, until sensor receives new command or repowering on.
2. Data format, the master will receive [DF0] firstly, and receive [CS] at last.

The result is calculated by high bit in front

Remark	Data Byte	Decimal Effective Value Range	Relative Value
Wrong code accelerate value	[DF0]	By default: 100	100
Zero setting switch	[DF1]	0 or 2	0: Open, 2: Close
Calibration period	[DF2]	1 ~ 30	1 ~ 30
Calibration concentration value	[DF3] [DF4]	400 ~ 1500	400 ~ 1500
Reserved byte	[DF5]	By default: 100	100

2.4 Calibration

The master device should send command of zero setting.

Send: 0x03 [DF0] [DF1]

Response: [0x03] [DF0] [DF1] [CS]

Note:

1. Sensor starts zero setting status once receiving command 0x03. After this, all the data which I²C read will be such status format data, until the sensor receives new command or re-powering on.
2. Data format, master device receives DF0 first, and then receives CS at last. The result is calculated by high bit in front: [DF0] * 256 + [DF1].

Remark	Data Bit	Decimal Effective Value Range	Relative value
Adjust value	[DF0] [DF1]	400 ~ 1,500	400 ~ 1,500 ppm

2.5 Read the Serial Number of the Sensor

Send: 0x1F

Response: [0x1F] [DF0] [DF1] [DF2] [DF3] [DF4] [DF5] [DF6] [DF7] [DF8] [DF9] [CS]

Note:

1. Sensor starts device code output status once receiving the command 0x1F. After this, all the data which I²C read will be such status format data, until the sensor receives new command or re-powering on.
2. Data format, the master device receives [DF0] first, and then receives [CS] at last. High bit in front.

Remark	Data Bit	Decimal Effective Value Range	Relative Value
Integer type 1	[DF0] [DF1]	0 ~ 9999	0 ~ 9999
Integer type 2	[DF2] [DF3]	0 ~ 9999	0 ~ 9999
Integer type 3	[DF4] [DF5]	0 ~ 9999	0 ~ 9999
Integer type 4	[DF6] [DF7]	0 ~ 9999	0 ~ 9999
Integer type 5	[DF8] [DF9]	0 ~ 9999	0 ~ 9999

3. The five-integer types constitute serial number of 20 digits.

2.6 Read Software Version

Send: 0x1E

Response: [0x1E] [DF0] [DF1] [DF2] [DF3] [DF4] [DF5] [DF6] [DF7] [DF8] [DF9] [CS]

Note:

1. Sensor starts software version output status once receiving the command 0x1E. After this, all the data which I²C read will be such status format data, until the sensor receives new command or re-powering on.
2. Data format, the master device receives DF₀ first, and then receives CS at last. [DF₀] [DF₉] is ASCII.

3. Communication Diagram

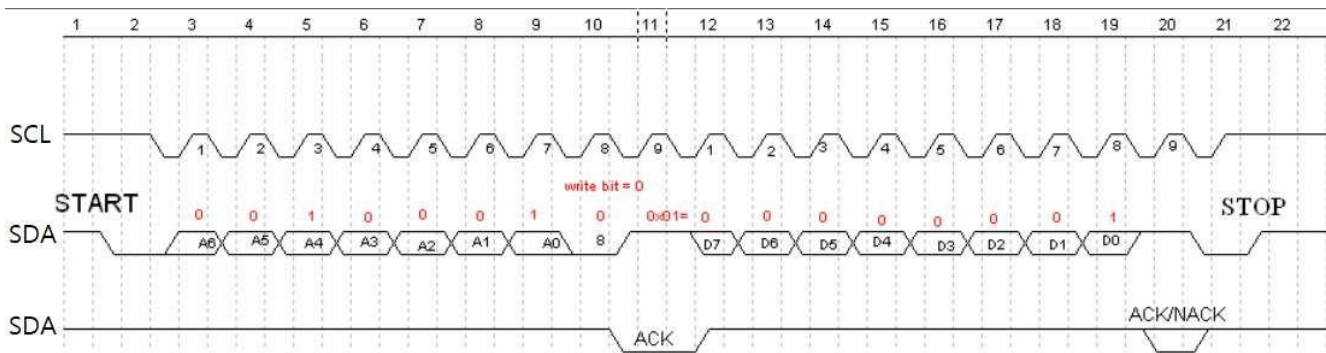
Diagram 1: The master device read two bytes continuously from the slave device.

The slave machine address: 0x31 = 0110001 (the machine address is 7 bit) + read/write bit (1bit)

The slave data address: 0x01 = 00000001

Step 1: The master device sends the address of the slave device+ write bit: 0110001+0 → 01100010 (0x62); at this time, the master device is in sending status.

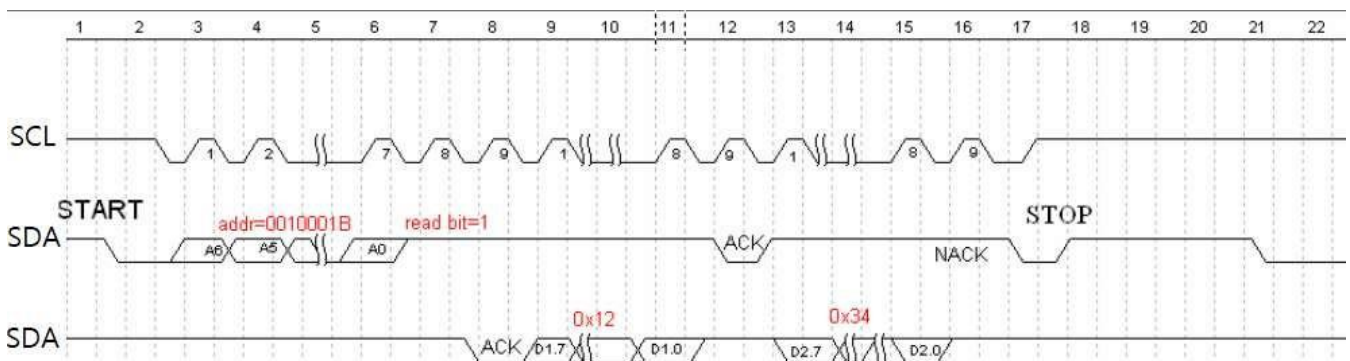
Step 2: The master device sends the slave data address: 0x01



Picture 6: The timing diagram send from the master device

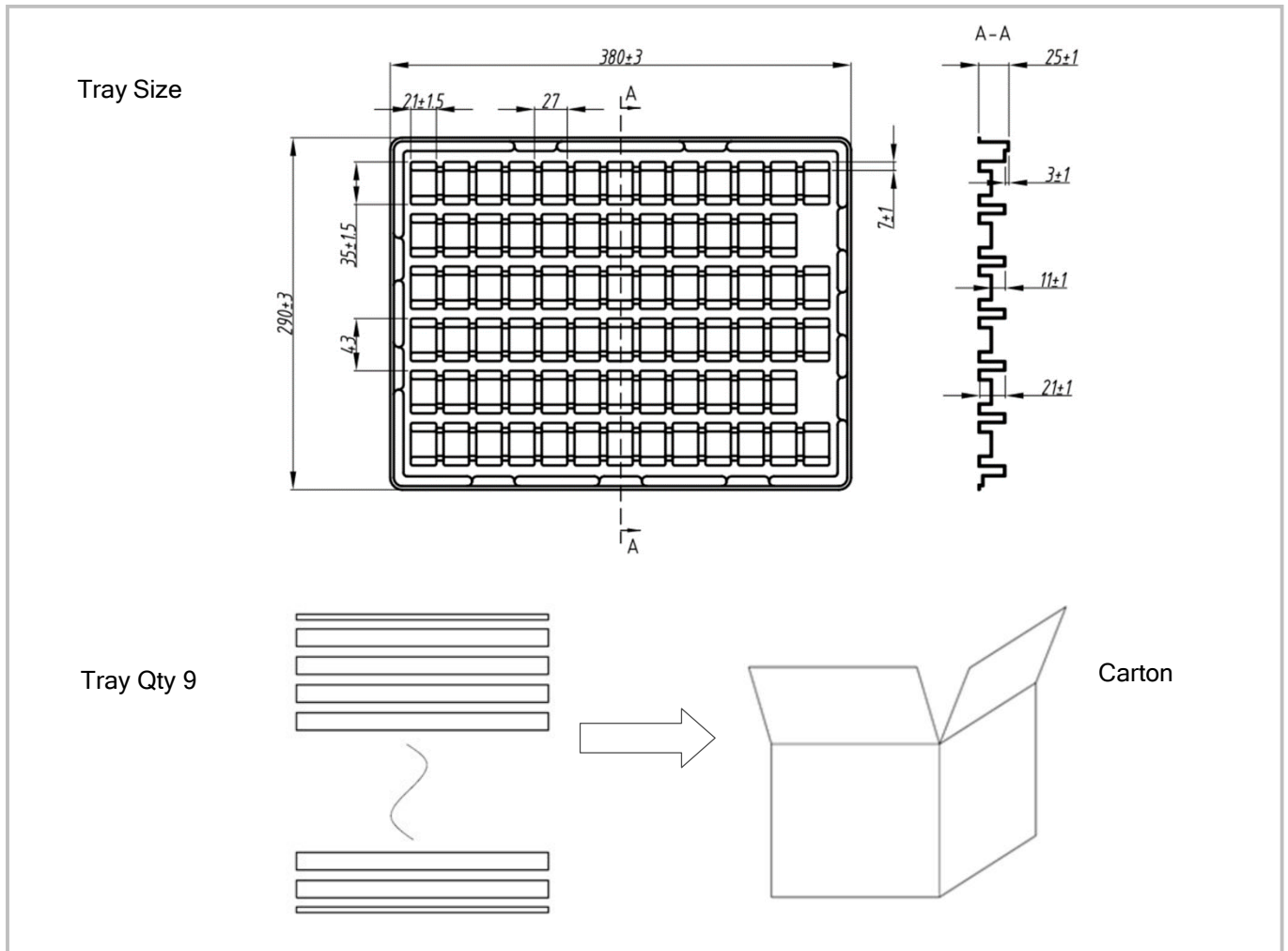
Step 3: The master device sends the slave machine address+ read bit: 0110001+1 → 01100011 (0x63); at this time, the master device is in receiving status.

Step 4: The master device sends answer bit after receiving a one-bit data and the slave continuously sends the next data. If the master device sends the no-answer bit after receiving a one-bit data, then the communication will stop.



Picture 7: The master device receives the data from the slave device

Packing Information



Note: every 3 trays are packed by a plastic vacuum bag.

Sensor per Tray	Tray Qty	Sensor per Carton	Carton Dimensions	Packing Material
70 pcs	9 layers	630 pcs	W395 * L310 * H200	Anti-static PS

After-Sales Services and Consultancy

Cubic Sensor and Instrument Co.,Ltd

Tel: +86 (0)27 81628827 Fax: +86 (0)27 81628821

Add: Fenghuang No.3 Road, Fenghuang Industrial Park, Eastlake Hi-tech Development Zone, Wuhan 430205, China

E-mail: info@gassensor.com.cn